

Cust. _____ Part No. _____ P.O. No. _____ F.O. Number _____
 P.C. Dis. _____ Del. Required _____ Del. Promised _____ Instec Part No. 640-102CN
 Sheet 1 of 1 Order Qty. _____ Run Qty. _____

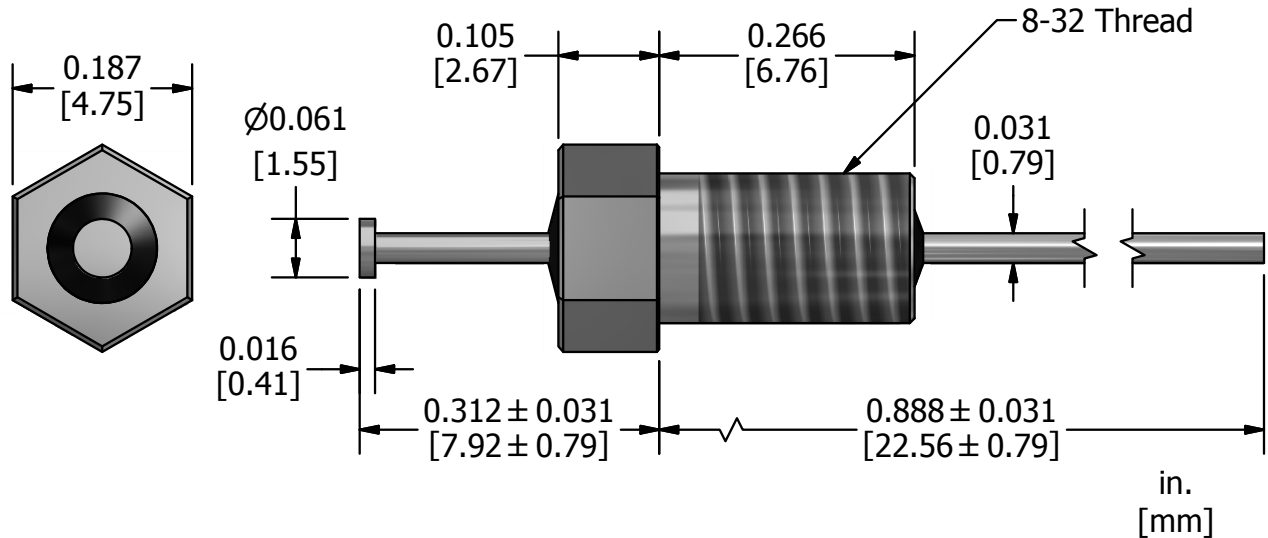
ELECTRICAL SPECS

Cap: 1000 pF
 Tolerance: GMV -0%/+100%
 Working Voltage: 100 Vdc
 Rated Current: 5 Amps
 IR: 10 GΩ Min. @ 25°C, 100 Vdc
 Dielectric Strength: 250 Vdc for 5 Sec.
 DCR: 0.010Ω Max.
 Dissipation Factor: 2.5% @ 1 kHz & 0.1-1.0 Vrms @ 25°C
 Operating Temp: -55°C to 125°C
 Testing Per Mil-Std-202

Typical Insertion Loss
 1 MHz: --
 10 MHz: 8 dB
 100 MHz: 25 dB
 1 GHz: 40 dB
 10 GHz: 40 dB

GENERAL SPECS

Case: Brass
 Plating: Silver
 Mounting Hardware: Provided
 Marking: "102C"



A	4/23/15	JE
Issue	4/8/15	JE
ECN.	Date	APVD.

Drawn By	JE	4/8/15	Approved By	JE	ENG	CB	MFG	KH	QA
					4/8/15		4/8/15		4/8/15

