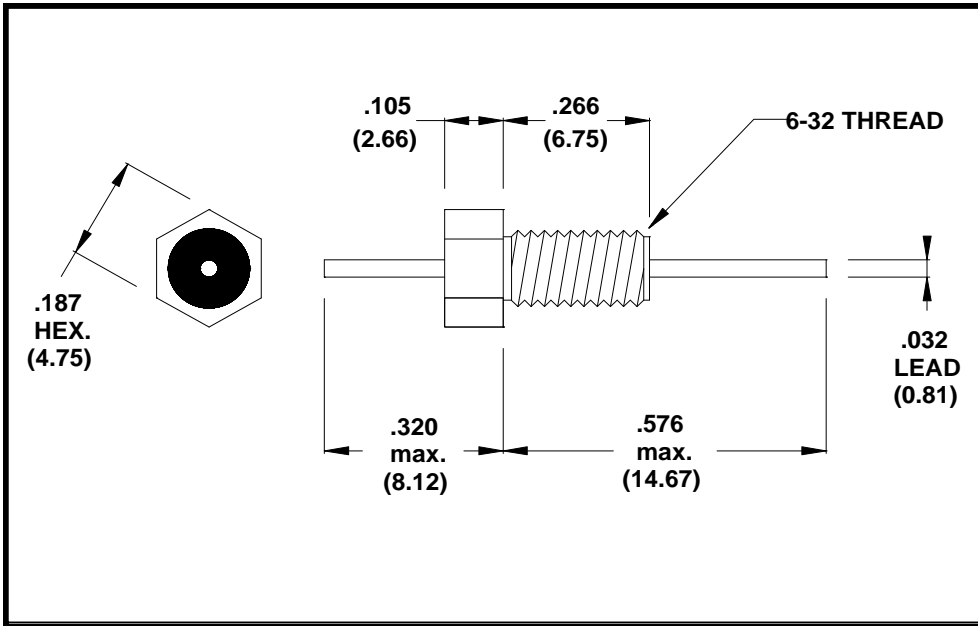
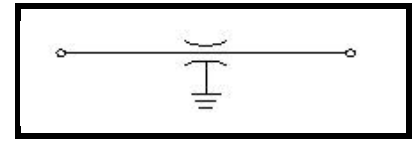


6-32 Bolt Style Resin Sealed "C" Filters



630 Series

Circuit Type: " C "



General Specifications.

- Material and Finish: Brass Silver plated
 Capacitance Tolerance: Guaranteed Minimum Value (GMV)
 Capacitance Test : Measured @ 1 KHz and 0.1 - 1 Vrms @ 25°C
- Dissipation Factor: 2.5% @ 1 KHz and 0.1 - 1 Vrms @ 25°C
 Insulation Resistance: 10,000 Mohm minimum or 1,000 Mohm / uF whichever is less @ 25°C
 Insertion Loss: Measured as per MIL-STD-220
 Dielectric Strength : (DWV) 250% Rated Voltage for 5 Seconds
 Working Voltages: 50 VDC to 300 VDC @ +25°C, 50 VDC to 200 VDC @ +125°C
 DC Resistance : 0.002 ohm maximum
 Oper. Temp. Range : -55°C \ +125°C
 Installation Guide : See " Filter Installation Guide " on page 22

"C" Filters Part Number	Filter Type	Working Voltage Vdc @ +125°C	Rated Current	Min. Cap. pF	Minimum Insertion Loss							
					1 MHz	3 MHz	10 MHz	30 MHz	100 MHz	300 MHz	1 GHz	10 GHz
630-100B	C	100	10 Amp	10							10	10
630-101B	C	100	10 Amp	100					3		20	28
630-102B	C	100	10 Amp	1000				10	21	28	28	28
630-272B	C	100	10 Amp	2700			9	18	27	33	35	35
630-103B	C	100	10 Amp	10000		9	20	29	38	45	50	50
630-273B	C	100	10 Amp	27000	10	20	30	37	45	50	55	60
630-050C	C	200	10 Amp	5	-	-	-	-	-	-	-	-
630-562C	C	200	10 Amp	5600			15	24	33	37	40	40