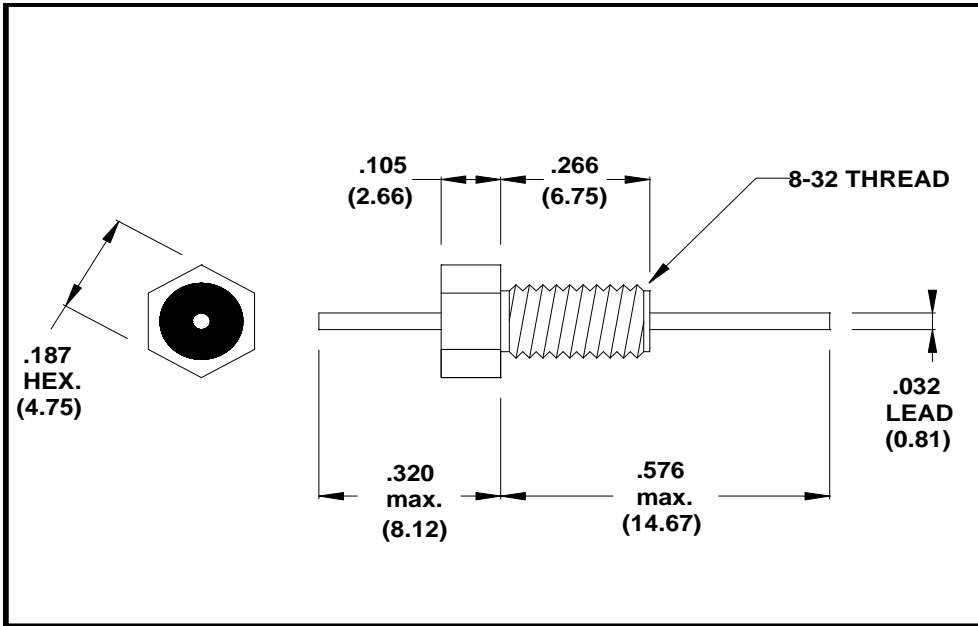
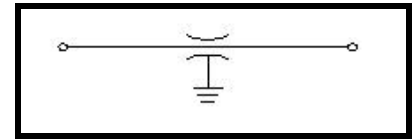


8-32 Bolt Style Resin Sealed "C" Filters



640 Series

Circuit Type: " C "



General Specifications.

- Material and Finish: Brass Silver plated
- Capacitance Tolerance: Guaranteed Minimum Value (GMV)
- Capacitance Test : Measured @ 1 KHz and 0.1 - 1 Vrms @ 25°C .
- Dissipation Factor: 2.5% @ 1 KHz and 0.1 - 1 Vrms @ 25°C .
- Insulation Resistance: 10,000 Mohm minimum or 1,000 Mohm / uF whichever is less @ 25°C
- Insertion Loss: Measured as per MIL-STD-220
- Dielectric Strength : (DWV) 250% Rated Voltage for 5 Seconds, 50 mA max.
- Working Voltages: 50 VDC to 200 VDC @ +125°C .
- DC Resistance : 0.005 ohm maximum
- Oper. Temp. Range : -55°C \ +125°C .
- Installation Guide : See " Filter Installation Guide " on page 22

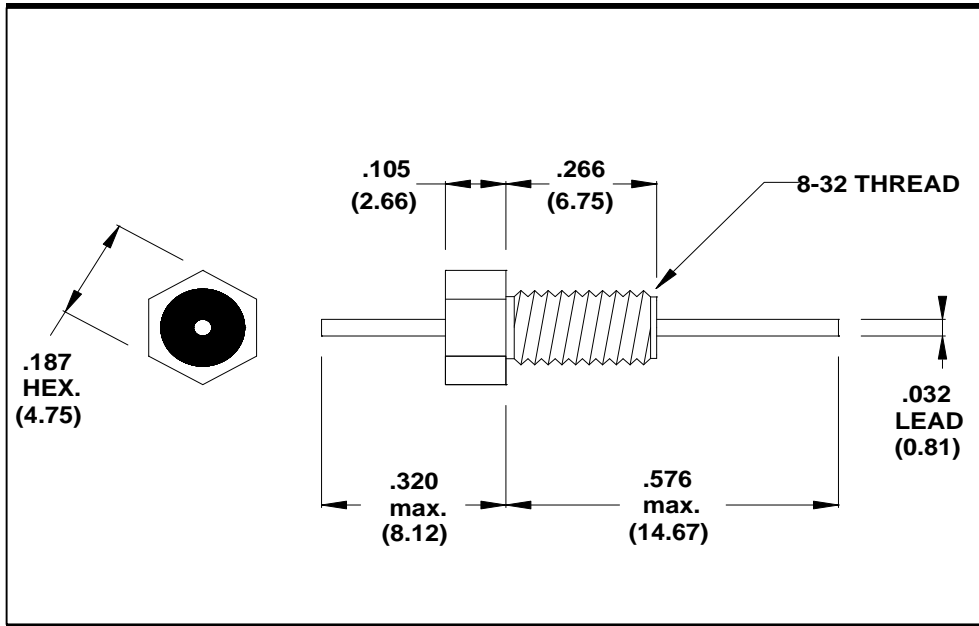
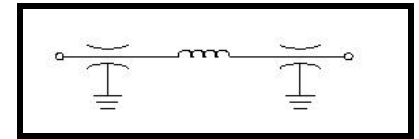
"C" Filters Part Number	Filter Type	Working Voltage VDC @ +125°C	Rated Current	Minimum Capacitance		Minimum Insertion Loss				
				pF	Tolerance	1 MHz	10 MHz	100 MHz	1 GHz	10 GHz
640-101B	C	100	10 Amp	100	GMV			10	20	20
640-102B	C	100	10 Amp	1000	GMV			20	28	28
640-103B	C	100	10 Amp	10000	GMV		20	38	50	55
640-273B	C	100	10 Amp	27000	GMV	8	28	45	55	60
640-333B	C	100	10 Amp	33000	GMV	11	30	44	65	65
640-050C	C	200	10 Amp	5	MAX	-	-	-	-	-
640-100C	C	200	10 Amp	10	GMV				7	20
640-101C	C	200	10 Amp	100	GMV			5	22	35
640-501C	C	200	10 Amp	500	GMV			18	37	45
640-102C	C	200	10 Amp	1000	GMV		8	25	40	40
640-272C	C	200	10 Amp	2700	GMV	8	13	32	45	55
640-502C	C	200	10 Amp	5000	GMV	7	17	35	47	55
640-103C	C	200	10 Amp	10000	GMV	8	27	48	65	65

8-32 Bolt Style Resin Sealed "Pi" Filters



643 Series

Circuit Type: " Pi "



General Specifications.

- Material and Finish: Brass Silver plated
- Capacitance Tolerance: Guaranteed Minimum Value (GMV)
- Capacitance Test : Measured @ 1 KHz and 0.1 - 1 Vrms @ 25°C
- Dissipation Factor: 2.5% @ 1 KHz and 0.1 - 1 Vrms @ 25°C
- Insulation Resistance: 10,000 Mohm minimum or 1,000 Mohm / uF whichever is less @ 25°C and WVDC
- Insertion Loss: Measured as per MIL-STD-220
- Dielectric Strength : (DWV) 250% Rated Voltage for 5 Seconds
- Working Voltages: 50 VDC to 200 VDC @ +125°C
- DC Resistance : 0.005 ohm maximum
- Oper. Temp. Range : -55°C \ +125°C
- Installation Guide : See " Filter Installation Guide " on page 22

"Pi" Filters Part Number	Filter Type	Working Voltage VDC @ +125°C	Rated Current	Minimum Capacitance		Minimum Insertion Loss @ No Load				
				pF	Tolerance	1 MHz	10 MHz	100 MHz	1 GHz	10 GHz
643-333A	Pi	50	10 Amp	33000	GMV	16	50	85	85	85
643-473A	Pi	50	10 Amp	47000	GMV	20	60	85	90	90
643-653A	Pi	50	10 Amp	65000	GMV	23	65	85	90	90
643-552B	Pi	100	10 Amp	5500	GMV		15	65	70	70
643-103B	Pi	100	10 Amp	10000	GMV	10	32	78	80	80
643-123B	Pi	100	10 Amp	12000	GMV	11	35	78	80	80
643-273B	Pi	100	10 Amp	27000	GMV	14	28	78	80	80
643-333B	Pi	100	10 Amp	33000	GMV	16	50	85	85	85
643-470C	Pi	200	10 Amp	47	GMV				10	15
643-101C	Pi	200	10 Amp	100	GMV				27	35
643-152C	Pi	200	10 Amp	1500	GMV		10	40	60	60
643-552C	Pi	200	10 Amp	5500	GMV		15	65	70	70