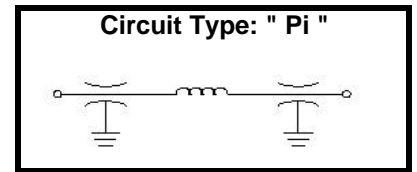
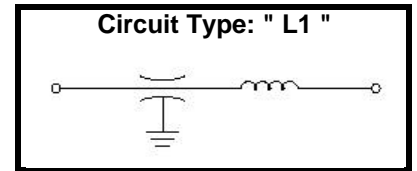
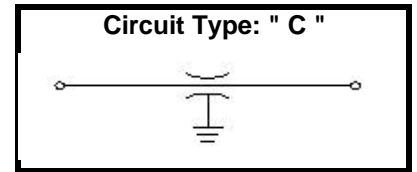
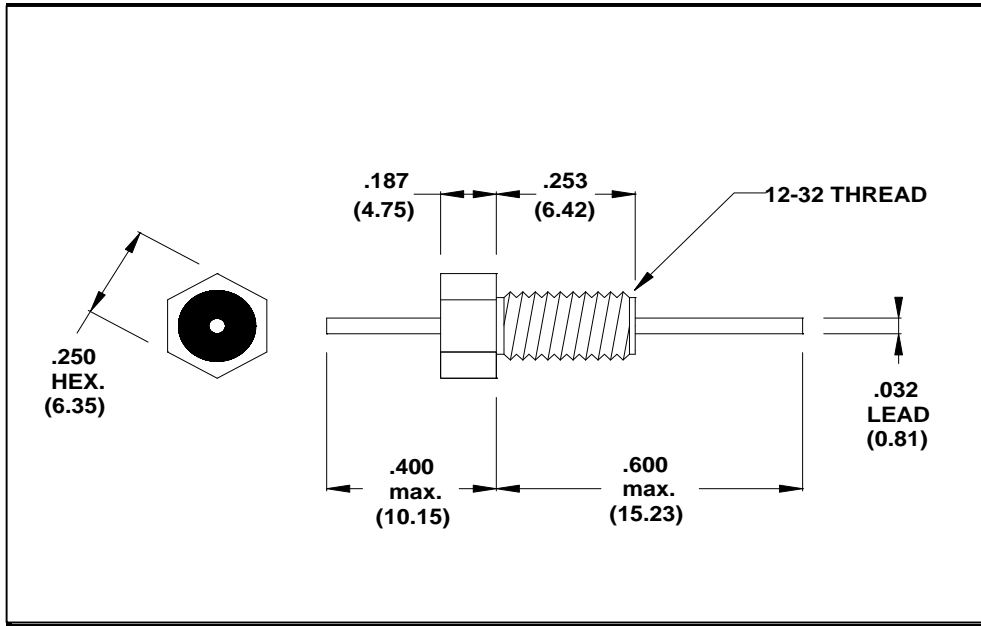


12-32 Bolt Style Resin-Sealed, "C", "L1", "Pi" Filters



650 Series



General Specifications.

- Material and Finish: Brass Silver plated
- Capacitance Tolerance: Guaranteed Minimum Value (GMV)
- Capacitance Test: Measured @ 1 KHz and 0.1 - 1 Vrms @ 25°C
- Dissipation Factor: 2.5% @ 1 KHz and 0.1 - 1 Vrms @ 25°C
- Insulation Resistance: 10,000 Mohm minimum or 1,000 Mohm / uF whichever is less @ 25°C and WVDC
- Insertion Loss: Measured as per MIL-STD-220
- Dielectric Strength: (DWV) 250% Rated Voltage for 5 Seconds max. and 50 mA max
- Working Voltages: 50 VDC to 200 VDC @ +125°C
- DC Resistance: 0.005 ohm maximum
- Oper. Temp. Range: -55°C \ +125°C
- Installation Guide: See " Filter Installation Guide " on page 22

Part Number	Filter Type	Working Voltage		Rated Current	Minimum Capacitance		Minimum Insertion Loss					
		+85°C	+125°C		pF	Tolerance	1	10	100	300	1	10
							MHz	MHz	MHz	MHz	GHz	GHz
650-101B	C	150	100	10 Amp	100	GMV			3	9	20	28
650-471B	C	150	100	10 Amp	470	GMV			12	18	27	27
650-252B	C	150	100	10 Amp	2500	GMV		15	30	40	62	62
650-103B	C	150	100	10 Amp	10000	GMV		20	38	45	60	60
650-273B	C	150	100	10 Amp	27000	GMV	10	30	45	50	70	70
650-102C	C	250	200	10 Amp	1000	GMV			20	28	28	28
650-502C	C	250	200	10 Amp	5000	GMV		15	33	37	70	50
650-103C	C	250	200	10 Amp	10000	GMV		22	38	45	50	50
Part Number	Filter Type	Working Voltage		Rated Current	Minimum Capacitance		Minimum Insertion Loss @ No Load					
		+85°C	+125°C		pF	Tolerance	1	10	100	300	1	10
							MHz	MHz	MHz	MHz	GHz	GHz
651-303A	L1	75	50	10 Amp	30000	GMV	29	45	65	70	70	70
653-123A	Pi	75	50	10 Amp	12000	GMV	30	45	70	70	70	70
653-503A	Pi	75	50	10 Amp	50000	GMV	70	60	75	75	75	75
653-502B	Pi	150	100	10 Amp	5000	GMV	10	20	65	70	70	70
653-552B	Pi	150	100	10 Amp	5500	GMV		20	65	70	70	70
653-253B	Pi	150	100	10 Amp	25000	GMV	10	40	60	70	70	70
653-403B	Pi	150	100	10 Amp	40000	GMV	15	50	70	70	70	70
653-152C	Pi	250	200	10 Amp	1500	GMV		5	45	55	70	70
653-302C	Pi	250	200	10 Amp	3000	GMV		5	45	45	70	70
653-552C	Pi	250	200	10 Amp	5500	GMV		14	60	70	70	70
653-103C	Pi	250	200	10 Amp	10000	GMV		18	60	70	70	70
653-123C	Pi	250	200	10 Amp	12000	GMV		27	70	70	70	70