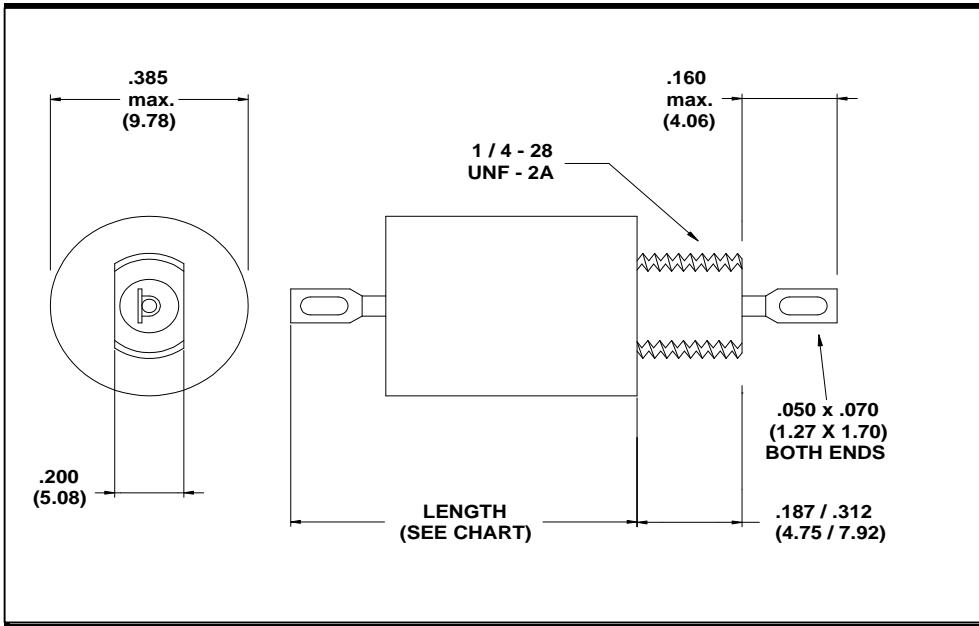
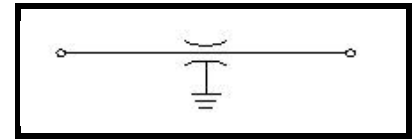


.375" Dia. Hermetically Sealed "C" Filters



710 Series

Circuit Type: " C "



General Specifications.

- Material and Finish: Brass Silver plated
- Capacitance Tolerance: Guaranteed Minimum Value (GMV)
- Capacitance Test: Measured @ 1 KHz and 0.1 - 1 Vrms @ 25°C
- Dissipation Factor: 2.5% @ 1 KHz and 0.1 - 1 Vrms @ 25°C
- Insulation Resistance: 10,000 Mohm minimum or 1,000 Mohm / uF whichever is less @ 25°C and WVDC
- Insertion Loss: Measured as per MIL-STD-220
- Dielectric Strength: (DWV) 250% Rated Voltage for 5 Seconds max. and 50 mA max
- Working Voltages: 50 VDC to 200 VDC @ +125°C
- DC Resistance: 0.01 ohm max
- Oper. Temp. Range: -55°C \ +125°C
- Installation Guide: See " Filter Installation Guide " on page 22

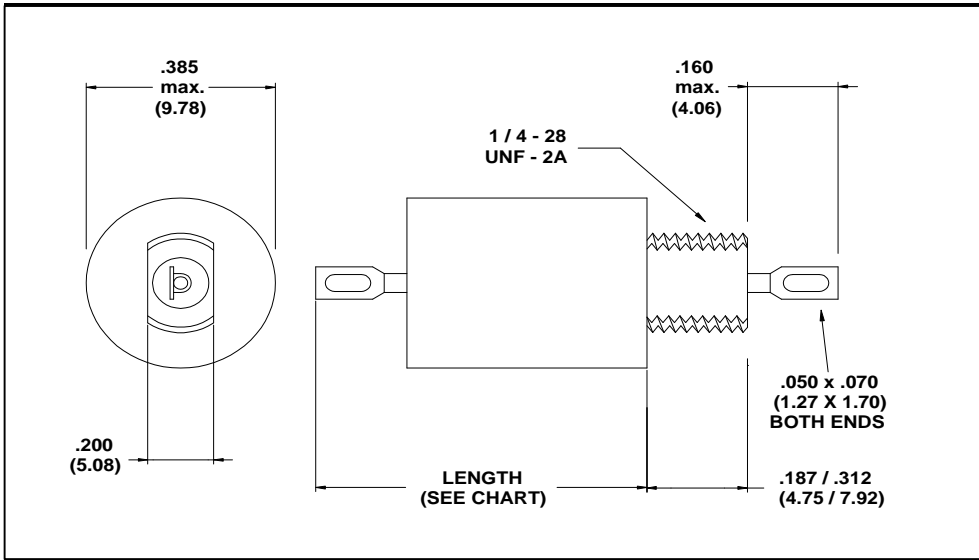
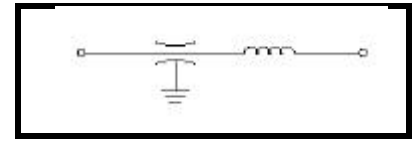
"C" Filters Part Number	Working Voltage		Rated Current (A)	Minimum Capacitance (uF)	DCR Max. Ohms	Maximum Length		Minimum Insertion Loss						
	@ + 125°C					Inches	mm.	30	150	300	1	10	100	1
	DC	AC						KHz	KHz	KHz	MHz	MHz	MHz	GHz
710-145A	50		15	1.40	0.005	0.389	9.83	15	28	33	44	60	70	70
710-215A	50		15	2.10	0.010	0.576	14.63	20	33	40	50	65	70	70
710-285A	50		15	2.80	0.005	0.576	14.63	20	34	39	50	60	70	70
710-405A	50		15	4.00	0.005	0.576	14.63	20	34	39	50	60	70	70
710-454B	100		15	0.45	0.005	0.410	10.41	6	19	25	36	40	60	70
710-684B	100		15	0.68	0.008	0.389	9.83	15	28	33	44	55	70	70
710-405B	100		15	4.00	0.005	0.914	23.20	23	36	42	52	63	70	70
710-125B	100		15	1.20	0.005	0.410	10.41	14	28	34	44	54	63	70
710-135B	100		15	1.30	0.005	0.688	17.48	15	28	33	44	55	70	70
710-104C	250	115	15	0.10	0.008	0.389	9.83			20	25	44	63	70
710-153C	200	125	15	0.15	0.005	0.389	9.83				6	25	45	50
710-563C	200	125	10	0.056	0.005	0.470	11.93			7	16	33	52	60
710-154C	200	125	15	0.15	0.008	0.410	10.41		10	16	26	40	52	70
710-184C	250	115	20	0.18	0.008	1.378	35.00			8	27	40	60	70
710-224C	200	125	15	0.22	0.010	0.389	9.83	10	20	26	33	46	65	65
710-254C	200	125	15	0.25	0.005	0.389	9.83		14	19	30	50	65	65
710-304C	200	125	15	0.30	0.005	0.410	10.41			20	30	51	55	65
710-504C	200	125	15	0.50	0.005	0.562	14.28	7	20	28	39	55	70	70

.375" Dia. Hermetically Sealed "L1" Filters



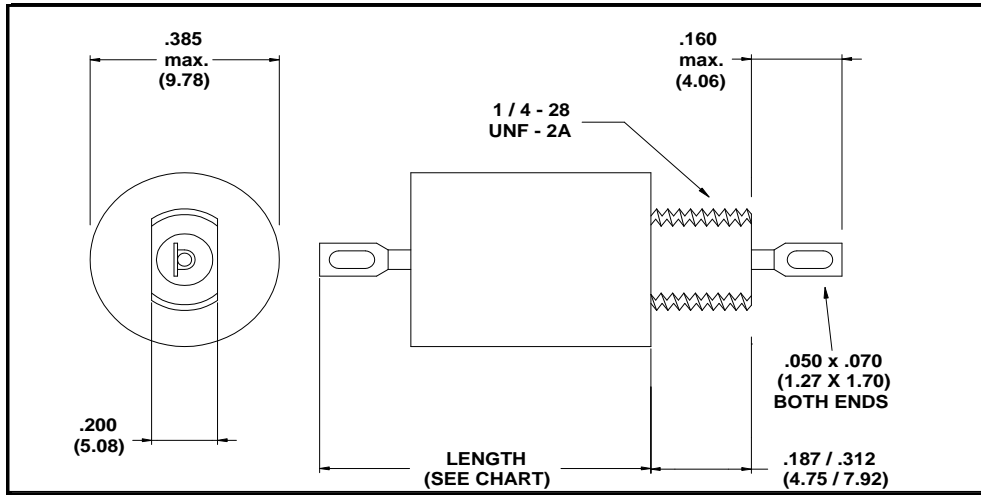
711 Series

Circuit Type: " L1 "

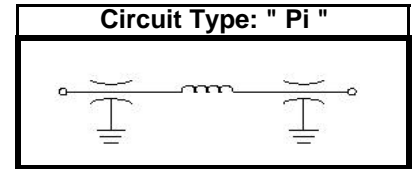
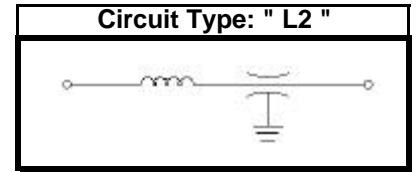


"L1" Filters Part Number	Working Voltage		Rated Current (A)	Minimum Capacitance (uF)	DCR Max. Ohms	Maximum Length		Minimum Insertion Loss @ No Load						
	@ + 125°C					Inches	mm.	30	150	300	1	10	100	1
	DC	AC						KHz	KHz	KHz	MHz	MHz	MHz	GHz
711-125A-00	50		15	1.20	0.005	0.370	9.40	15	25	33	44	60	70	70
711-125A-01	50		10	1.20	0.010	0.770	19.56	15	28	33	44	60	70	70
711-145A-01	50		15	1.40	0.010	0.330	8.38	15	28	33	44	60	70	70
711-145A-05	50		1	1.40	0.250	0.770	19.56	16	33	44	70	70	70	70
711-145A-06	50		2	1.40	0.063	0.770	19.56	15	28	35	51	70	70	70
711-145A-07	50		3	1.40	0.027	0.770	19.56	15	28	34	45	70	70	70
711-145A-08	50		5	1.40	0.015	0.770	19.56	15	28	33	46	70	70	70
711-145A-09	50		10	1.40	0.010	0.770	19.56	15	28	33	44	60	70	70
711-125B-04	100		15	1.20	0.005	0.334	8.48	4	16	28	32	50	60	70
711-145B-02	100		10	1.40	0.003	0.758	19.25	14	28	34	44	52	70	70
711-145B-03	100		3	1.40	0.003	0.799	20.30	10	40	48	52	73	75	75
711-145B-04	100		15	1.40	0.015	0.425	10.80	15	28	43	40	60	70	70
711-145B-05	100		15	1.40	0.010	0.334	8.48					60	70	70
711-145B-06	100		15	1.40	0.015	0.334	8.48	15	28	34	44	65	70	70
711-145B-07	100		25	1.40	0.015	0.450	11.43	15	28	34	44	60	70	70
711-145B-08	100		15	1.40	0.010	0.370	9.40	15	28	34	44	60	70	70
711-145B-09	100		15	1.40	0.008	0.330	8.38	15	28	33	44	50	70	70
711-165B-01	100		15	1.60	0.008	0.330	8.38	15	28	33	44	50	70	70
711-255B-00	100		15	2.50	0.010	0.330	8.38	15	28	34	44	60	70	70
711-285B-00	100		15	2.80	0.004	0.758	19.25	20	30	40	48	70	70	70
711-304B-01	150	100	15	0.30	0.005	0.450	11.43	4	16	21	31	48	60	70
711-454B-00	100		1	0.45	0.250	0.758	19.25	9	27	36	57	70	70	70
711-454B-01	100		5	0.45	0.015	0.758	19.25	6	20	26	37	68	70	70
711-704B-00	100		15	0.70	0.005	0.535	13.59	9	25	29	39	52	65	70
711-754B-00	100		1	0.75	0.600	0.758	19.25	12	32	44	65	70	70	70
711-905B-00	100		3	0.90	0.060	0.758	19.25		22	29	44	65	70	70
711-154C-01	200		15	0.15	0.008	0.325	8.26		10	15	25	40	52	60
711-304C-00	200		15	0.30	0.003	0.450	11.43	5	17	23	33	53	70	70
711-254C-01	200		1	0.25	0.250	0.758	19.25		17	29	50	70	70	70
711-254C-02	200	125	3	0.25	0.050	0.758	19.25		13	20	35	70	70	70
711-254C-03	200		5	0.25	0.015	0.758	19.25		15	20	30	62	70	70
711-254C-04	200		10	0.25	0.010	0.758	19.25		15	20	30	50	70	70
711-145C-00	200	115	3	1.45	0.060	0.720	18.30		9	25	33	68	70	70
711-154D-00	300	125	10	0.15	0.003	0.758	19.25		8	14	25	45	52	70
711-204B-00	300	115	15	0.20	0.004	0.720	18.30	5	12	24	30	50	60	60
711-254D-00	300	125	15	0.25	0.003	0.450	11.43	4	15	21	31	50	70	70
711-704D-01	300		15	0.70	0.005	0.594	15.08	9	20	29	39	52	70	70

.375" Dia. Hermetically Sealed "L2 & Pi" Filters



712 Series



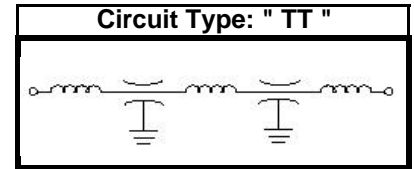
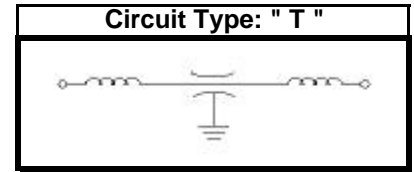
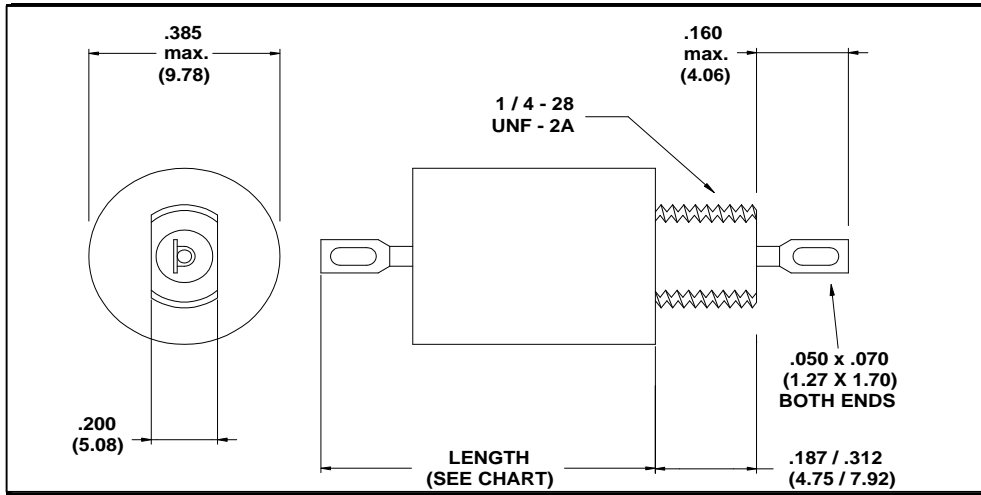
"L2" Filters Part Number	Working Voltage @ + 125°C		Rated Current (A)	Minimum Capacitance (uF)	DCR Max. Ohms	Maximum Length		Minimum Insertion Loss @ No Load						
	DC	AC				Inches	mm.	30	150	300	1	10	100	1
								KHz	KHz	KHz	MHz	MHz	MHz	GHz
712-145A-02	50		1	1.40	0.250	0.770	19.56	16	33	44	70	70	70	70
712-145A-03	50		5	1.40	0.015	0.770	19.56	15	28	33	46	70	70	70
712-145A-04	50		10	1.40	0.010	0.770	19.56	15	28	33	44	60	70	70
712-145A-06	50		1	1.40	0.014	0.630	16.00	11	26	36	55	70	70	70
712-145A-07	50		10	1.40	0.010	0.450	11.43	14	28	36	44	60	70	70
712-454B-00	100		1	0.45	0.250	0.770	19.56	9	27	36	57	70	70	70
712-454B-01	100		5	0.45	0.015	0.770	19.56	6	20	26	37	68	70	70
712-454B-02	100		5	0.45	0.015	0.472	11.99	6	20	26	68	68	70	70
712-904B-00	100		3	0.90	0.250	0.770	19.56		22	29	44	65	70	70
712-204C-00	200		5	0.20	0.015	0.770	19.56		9	17	28	61	70	70
712-254C-01	200		1	0.25	0.250	0.770	19.56		17	29	50	70	70	70
712-254C-02	200	125	3	0.25	0.050	0.770	19.56		13	20	35	70	70	70
712-254C-03	200		10	0.25	0.010	0.770	19.56		15	20	30	50	70	70
712-105C-00	200	125	5	1.00	0.015	0.720	18.30		8	20	30	52	62	70

"Pi" Filters Part Number	Working Voltage @ + 125°C		Rated Current (A)	Minimum Capacitance (uF)	DCR Max. Ohms	Maximum Length		Minimum Insertion Loss @ No Load						
	DC	AC				Inches	mm.	30	150	300	1	10	100	1
								KHz	KHz	KHz	MHz	MHz	MHz	GHz
713-155A-01	50		2	1.50	0.063	0.761	19.33		45	62	70	70	70	70
713-155A-02	50		10	1.50	0.003	0.761	19.33	15	28	34	40	52	70	70
713-205A-00	50		1	2.00	0.250	0.761	19.33	15	54	70	70	70	70	70
713-285A-00	50		5	2.80	0.015	0.793	20.14		18	60	80	70	70	70
713-664B-00	100		1	0.66	0.250	0.793	20.14		28	59	70	70	70	80
713-664B-01	100		5	0.66	0.015	0.793	20.14			26	63	70	70	70
713-704B-00	100		5	0.70	0.010	0.793	20.14			26	63	80	80	80
713-704B-01	100		2	0.70	0.008	0.793	20.14	9	23	32	47	70	70	70
713-105B-00	100		10	1.00	0.050	0.758	19.25	9	24	29	40	70	70	70
713-145B-01	100		5	1.40	0.020	0.793	20.14	6	15	49	64	65	65	70
713-205B-00	100		5	2.00	0.015	0.720	18.30			55	75	75	75	75
713-204C-00	200	125	10	0.20	0.050	0.793	20.14		9	18	28	45	70	75
713-304C-00	250	115	1	0.30	0.200	0.793	20.14			40	65	70	70	70
713-304C-01	200	125	5	0.30	0.020	0.808	20.52			15	50	70	70	70
713-304C-02	200	125	3	0.30	0.025	0.761	19.33		9	18	28	45	70	75
713-304C-03	250	115	3	0.30	0.020	0.720	18.30			40	70	70	70	70
713-504C-01	200	125	3	0.50	0.050	0.808	20.52		15	50	70	70	70	70
713-504C-02	250	115	1	0.50	0.250	0.808	20.52		20	40	70	70	70	70
713-304D-00	300	125	3	0.30	0.027	0.758	19.25			20	54	70	70	70
713-304D-01	300		10	0.30	0.003	0.758	19.25		14	20	30	70	70	70

.375" Dia. Hermetically Sealed "T" & "TT" Filters



714/715 Series



"T" Filters Part Number	Working Voltage @ + 125°C		Rated Current (A)	Minimum Capacitance (uF)	DCR Max. Ohms	Maximum Length		Minimum Insertion Loss @ No Load						
	DC	AC				Inches	mm.	30 KHz	150 KHz	300 KHz	1 MHz	10 MHz	100 MHz	1 GHz
	714-754A-02	50					1	0.75	0.500	1.071	27.20	8	28	43
714-754A-03	50		3	0.75	0.504	1.071	27.20	8	22	28	43	70	70	70
714-145A-00	50		10	1.40	0.005	1.071	27.20	17	27	34	44	60	70	70
714-504B-00	150		4	0.50	0.025	1.071	27.20	10	24	34	40	70	70	70
714-704B-02	100		1	0.70	0.500	1.071	27.20	4	25	40	70	70	70	70
714-704B-03	100		10	0.70	0.010	1.071	27.20	4	19	24	34	57	70	70
714-754B-00	100		3	0.75	0.054	1.071	27.20	4	19	24	39	70	70	70
714-754B-02	150		4	0.75	0.025	1.071	27.20	8	26	29	30	64	70	70
R714-504B-00	150		4	1.40	0.025	0.984	25.00	8	28	36	45	70	70	70
714-104C-00	200	125	10	0.10	0.005	1.071	27.20	8	11	21	41	55	70	70
714-184C-00	200	125	4	0.18	0.030	1.071	27.20	11	17	30	70	70	70	70
714-254C-00	200	125	2	0.25	0.100	1.194	30.33	13	21	43	70	70	70	70
714-254C-00	200	125	4	0.25	0.063	1.194	30.33	11	18	33	70	70	70	70
714-105C-00	200	125	2	1.00	0.060	1.010	25.80	28	36	45	75	75	75	75
714-145D-01	240	115	3	1.40	0.025	1.150	29.30	20	30	51	75	75	75	75
714-154D-00	300	125	3	0.15	0.054	1.194	30.33	8	14	29	70	70	70	70
714-154D-01	300	125	10	0.15	0.010	1.194	30.33	8	14	24	47	70	70	70
714-105E-01	450	240	10	1.00	0.020	1.150	29.30	14	28	34	44	60	70	70
714-203F-00	530	375	4	0.20	0.030	1.071	27.20			2	12	48	65	75
714-203F-01	530	375	10	0.20	0.005	1.071	27.20			2	11	31	60	70

"TT" Filters Part Number	Working Voltage @ + 125°C		Rated Current (A)	Minimum Capacitance (uF)	DCR Max. Ohms	Maximum Length		Minimum Insertion Loss @ No Load							
	DC	AC				Inches	mm.	30 KHz	150 KHz	300 KHz	1 MHz	10 MHz	100 MHz	1 GHz	
	715-155A-02	50					3	1.50	0.081	1.241	31.52			33	54
715-155A-03	50		10	1.50	0.006	1.241	31.52	15	29	35	42	55	70	70	
715-155A-03			1	1.40	0.750	1.241	31.52	12	52	70	70	70	70	70	
715-155A-03	100		10	1.40	0.006	1.241	31.52	12	25	32	42	55	70	70	
715-155A-03			3	1.50	0.081	1.241	31.52			24	54	70	70	70	
715-145B-01			1	0.50	0.750	1.241	31.52			48	70	70	70	70	
715-145B-02	300	125	3	0.50	0.080	1.241	31.52			12	38	70	70	70	
715-155B-00			10	0.50	0.006	1.241	31.52	5	18	24	34	55	70	70	