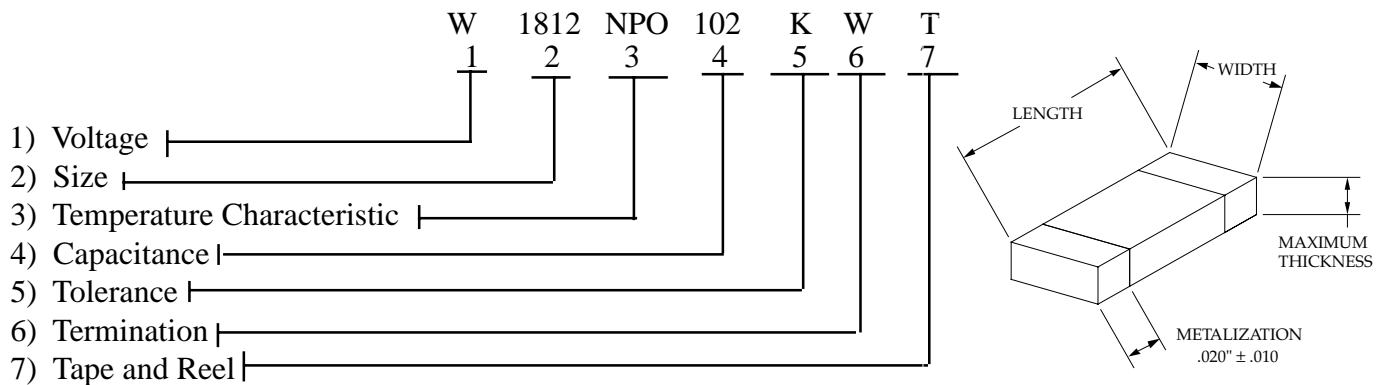


HIGH VOLTAGE CHIP CAPACITORS 500 VDC TO 5000 VDC ORDERING TERMINOLOGY



1) VOLTAGE		3) TEMPERATURE CHARACTERISTIC	5) Tolerance	6) Termination	7) Tape and Reel
S	500 V	NPO (COG) X7R	J: ± 5% K: ± 10% M: ± 20%	W: Nickel Barrier P: Pt/Ag Termination S: Ag Termination	B: Bulk T: T & R
T	1000 V				
W	2000 V				
X	3000 V				
Y	4000 V				
Z	5000 V				

2) Dimension

Size	1206	1210	1808	1812	1825	2220	2225	3530	4040	5550
*L inch (mm)	.125 (3.18)	.125 (3.18)	.180 (4.57)	.180 (4.57)	.180 (4.57)	.225 (5.70)	.225 (5.70)	.350 (8.89)	.400 (10.2)	.550 (11.4)
*w inch (mm)	.060 (1.52)	.100 (2.54)	.080 (2.03)	.125 (3.18)	.250 (6.35)	.200 (5.08)	.250 (6.35)	.300 (7.62)	.400 (10.2)	.500 (12.7)
T inch (mm)	.060 (1.52)	.065 (1.65)	.080 (2.03)	.100 (2.54)	.100 (2.54)	.100 (2.54)	.150 (3.81)	.250 (6.35)	.300 (7.62)	.300 (7.62)
A inch (mm)	.020 (.508)	.020 (.508)	.038 (.965)	.038 (.965)	.038 (.965)	.045 (1.14)	.045 (1.14)	.050 (1.27)	.060 (1.52)	.060 (1.52)

4) Capacitance

Min Cap	10pF	100pF	10pF	68pF	470pF	100pF	470pF	470pF	470pF	1000pF
500V NPO	1500pF	3300pF	3300pF	5600pF	0.015µF	0.015µF	0.022µF	0.047µF	0.047µF	0.1µF
X7R	0.039µF	0.047µF	0.047µF	0.15µF	0.15µF	0.15µF	0.22µF	0.47µF	0.68µF	2.2µF
1000V NPO	1200pF	2200pF	2200pF	4700pF	6800pF	6800pF	0.01µF	0.018µF	0.027µF	0.047µF
X7R	—	0.01µF	0.022µF	0.047µF	0.10µF	0.10µF	0.15µF	0.22nF	0.33µF	1.0µF
2000V NPO	1000pF	1000pF	1000pF	2200pF	4700pF	4700pF	6800pF	0.012µF	0.015µF	0.033µF
X7R	—	—	—	0.01µF	0.01µF	0.015µF	0.022µF	0.056µF	0.12µF	0.22µF
3000V NPO	—	—	680pF	1000pF	3300pF	3300pF	4700pF	8200pF	0.010µF	0.022µF
X7R	—	—	—	—	6800pF	6800pF	0.01µF	0.022µF	0.047µF	0.1µF
4000V NPO	—	—	—	—	—	—	—	—	4700pF	0.01µF
X7R	—	—	—	—	—	—	—	—	0.01µF	0.047µF
5000V NPO	—	—	—	—	—	—	—	—	2200pF	4700pF
X7R	—	—	—	—	—	—	—	—	6800pF	0.022µF

*TOLERANCE ± .010 OR 7% WHICHEVER IS GREATER