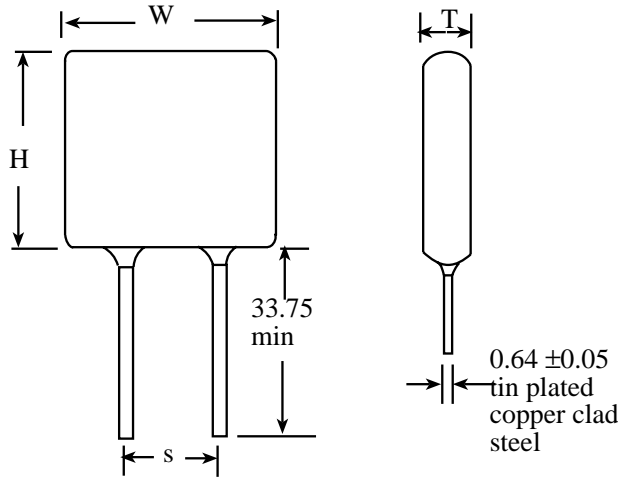


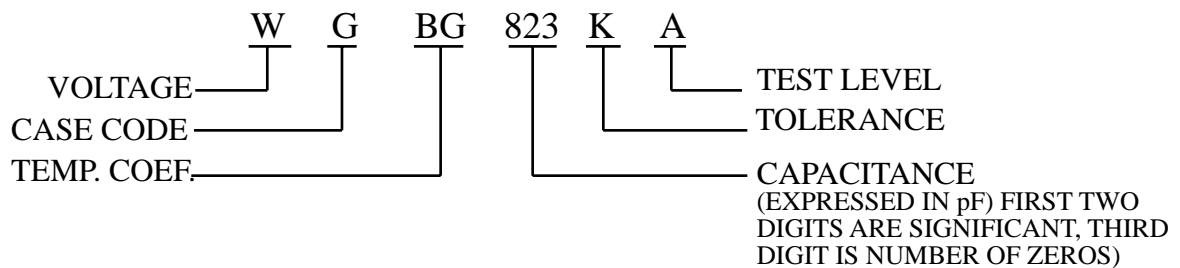
**H-SERIES HIGH VOLTAGE RADIAL LEADED  
MULTILAYER CERAMIC CAPACITORS**

RATED WORKING VOLTAGES FROM 500 VDC TO 5000 VDC  
CONFORMAL COATED FOR INCREASED PROTECTION  
DSCC DRAWING AND OTHER SCREENED VERSIONS AVAILABLE



DIMENSIONS (mm)				
CASE SIZE	WIDTH (W)	HEIGHT (H)	THICKNESS (T)	LEAD SPACING (S)
A	6.35	5.59	5.08	4.32
B	8.13	7.11	6.35	5.59
C	9.40	7.62	6.35	6.99
D	11.94	10.16	6.86	9.53
E	14.48	12.70	6.86	12.07
F	17.02	15.24	6.86	14.61
G	19.59	18.29	6.86	17.15
H	31.75	15.24	6.86	27.94
J	36.83	15.29	6.86	33.02

**ORDER TERMINOLOGY**



VOLTAGE	TEMP. COEF.	TOLERANCE	TEST LEVEL
S 500 VDC	BG/X7R +15%	K ±10%	A ELECTRICAL SCREENING ONLY
T 1000 VDC	BY/NPO ±30 ppm/c	M ±20%	B GROUP A PER MIL-C-39014
W 2000 VDC			C GROUP A & B PER MIL-C-39014
X 3000 VDC			
Y 4000 VDC			
Z 5000 VDC			

**MAXIMUM CAPACITANCE FOR EACH CASE SIZE**

SIZE	1000V - X7R	2000 V - X7R	3000 V - X7R	4000 V - X7R	5000 V - X7R
A	0.01 µF	3900 pF	3300 pF		
B	0.022 µF	6800 pF	4700 pF		
C	0.027 µF	0.01 µF	0.015 µF	1800 pF	
D	0.068 µF	0.27 µF	0.033 µF	4700 pF	
E	0.15 µF	0.47 µF	0.039 µF	0.01 µF	6800 pF
F	0.27 µF	0.68 µF	0.056 µF	0.18 µF	0.012 µF
G	0.47 µF	0.10 µF	0.068 µF	0.27 µF	0.018 µF
H	0.68 µF	0.082 µF	0.047 µF	0.033 µF	0.022 µF
J	1.0 µF	0.15 µF	0.10 µF	0.039 µF	0.027 µF
K	1.8 µF	0.22 µF	0.15 µF	0.056 µF	0.033 µF